

# Strange

## Kit Summary:

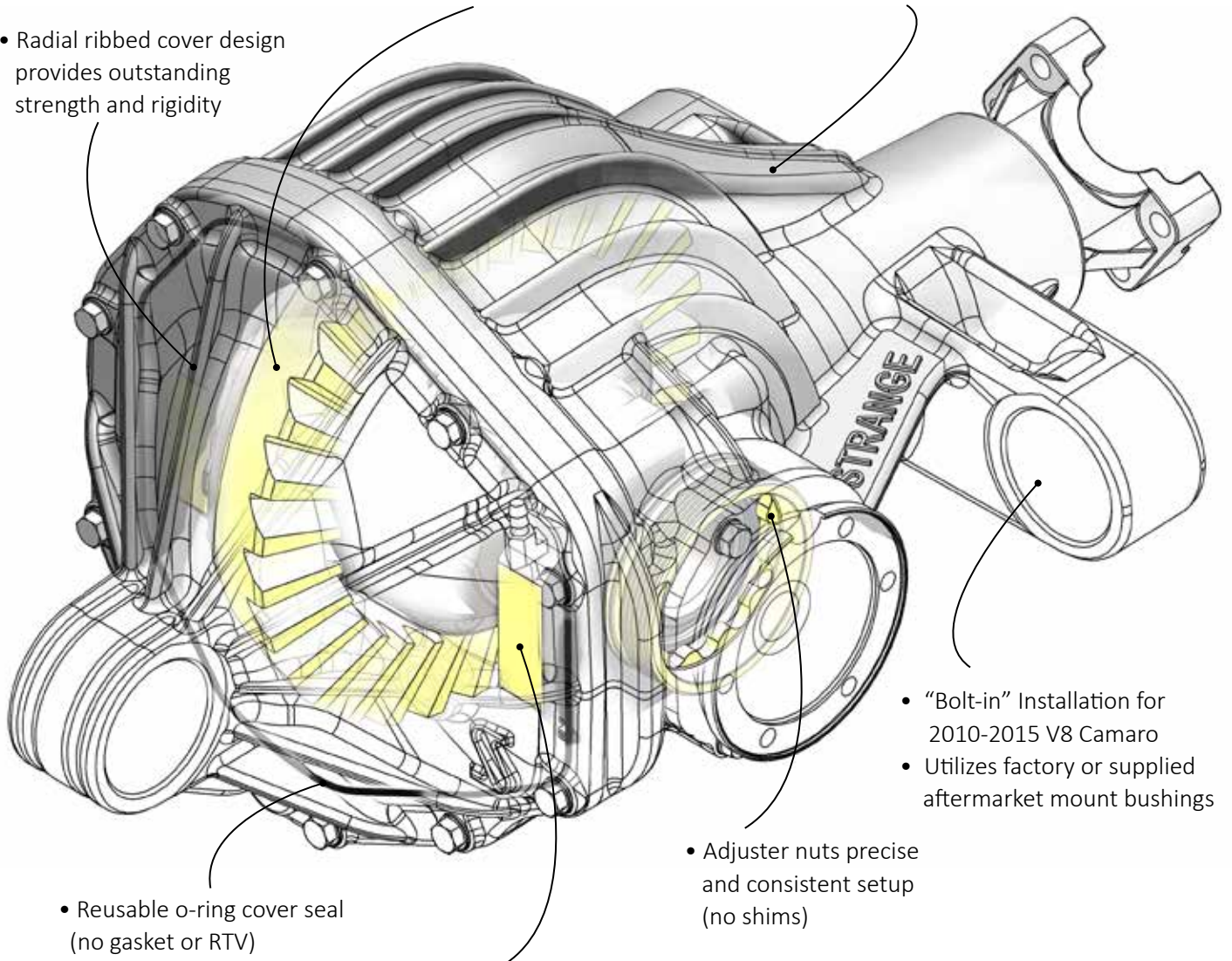
Part#	H1400
Description	Independent 9-3/4" Rear end
Applications	2010-2015 Chevrolet Camaro
Page	1 of 2 total pages
Date Modified	Jun 21, 2022

## RaceStrange

- 206-T4 finned aluminum housing  
Exceptional strength, high toughness, and lightweight
- Robust black Enduraguard coating
- 15 lbs. lighter than 9" housing with cast iron center

- Utilizes proven DANA 60 components
- 3.54-6.50 gear ratios available

- Radial ribbed cover design provides outstanding strength and rigidity



- "Bolt-in" Installation for 2010-2015 V8 Camaro
- Utilizes factory or supplied aftermarket mount bushings

- Adjuster nuts precise and consistent setup (no shims)

- Reusable o-ring cover seal (no gasket or RTV)

- Aircraft grade 2024-T351 billet aluminum main caps
- Support style rear cover reinforces main caps to increase overall strength and minimize deflection

CV Axles	
PART #	DESCRIPTION
RA5422X5	Left axle (Long) Driveshaft Shop
RA5423X5	Right Axle (Short) Driveshaft Shop

**CV Axle Compatibility**  
 Differential stub axles measuring 14.313" axle flange to axle flange are available to fit The Driveshaft Shop CV axles listed above in the CV axle section.  
 Differential stub axles measuring 17.300" axle flange to axle flange are available to fit The Driveshaft Shop and G-Force 9" IRS conversion CV axles.

*note: G-force stamped steel CV joint dust caps are not compatible with Strange stub axles- must be sealed with RTV (see figure 3)*

Differentials	
PART #	DESCRIPTION
D3523	Strange S-Trac 3 Series
D3533	Truetrac 3 Series
D3534	Truetrac 5 Series
D3535	Detroit Locker 3 Series
D3536	Detroit Locker 5 Series

*note: spools are also available (contact for more information)*

Figure 1



<b>Rear end gear oil weight</b>	non-synthetic SAE 85W-140
<b>Rear end gear oil capacity</b>	2 quarts

**Rear end install**

1. Follow factory instructions to disassemble the rear suspension links and upper control arms to remove the stock axles.
2. The exhaust system must be removed. First, remove the cross-brace support. Then loosen the front sleeve clamps. The exhaust system must now be supported while the four rear hangers are removed from the rubber insulators. Carefully maneuver the exhaust system from the vehicle. (figure 5)
3. Remove the exhaust heat shields for access to rear end bolts and drive shaft.
4. Remove the factory drive shaft and components.
5. Support the rear end prior to removing the three mounting nuts and bolts.
6. Carefully lower the rear end and slide the factory breather hose out of the original fitting. The factory plastic tube and rubber breather fitting will be reused during installation. (figure 1 and 4)
7. Install the factory plastic rubber breather fitting on the new Strange Independent 9-3/4" rear end. Position and install the new rear end with the factory breather tube connected to the fitting. (figure 1 and 4)
8. Install the axles. It is vital to ensure that the bolts securing the axles to the axle stubs do not contact the bearing cartridge to rear end bolt heads. Two washers and a lock washer are required on the passenger side if installing The Driveshaft Shop OEM rear end/center axles assemblies. (figure 2 & 3) Torque axle bolts to 57 ft-lbs and apply blue loctite.
9. Install the driveshaft, exhaust system and suspension components. Torque all bolts to factory spec.

**Driveshaft Compatibility**  
 Accepts The Driveshaft Shop and Dynotech driveshafts.

**Bushing Options**  
 Polyurethane bushings are included. OEM bushings or aftermarket replacement bushing kits will also fit.

Tools	
PART #	DESCRIPTION
H1400S	Adjuster nut spanner

Gear Ratios	
PART #	DESCRIPTION
D3550	3.54 Spicer gearset
D3551	3.73 Spicer gearset
D3552	4.10 Spicer gearset
D3553	4.56 Spicer gearset

Figure 2



Figure 3

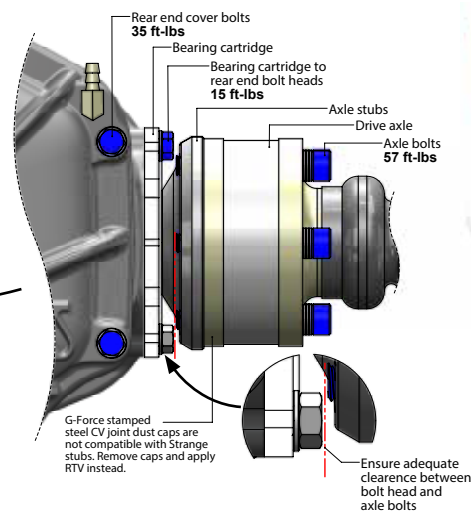


Figure 4

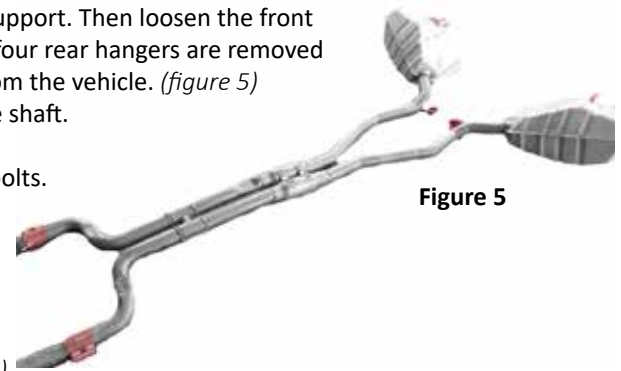


Figure 5