

Strange

Page 1 of 3

Aug 10, 2021

HEAVY DUTY FRONT BRAKE KIT INSTALLATION INSTRUCTIONS

Installation to be performed by a qualified technician.

BRAKE KIT

B4178WC &
B4178WC2

APPLICATIONS

1997-2013 C5 & C6
Corvette & Z06

Important Notes

- B2795, B2796, & B2794A 11.25" steel rotors and two piece rotors have 0.312" minimal thickness.
- B5010 semi-metallic brake pads have 0.200" minimal thickness.
- Brake fittings do not come pre-installed, it will need a layer of Teflon sealer applied to the thread (Figure# 2 for torque specs)
- Modifications to the OEM upright are required.
- To use the provided upright modification template ensure printer settings are as follows. After clicking print in the PDF file go to the "Paper Handling" category. "Page Scaling" must be set changed from the default "Fit to Printable Area" option to "None." After printing ensure correct scale by measuring hub center to 3.61".
- Strange Engineering brake kits are designed for DRAG RACING ONLY!
- Also consult installation instructions for B1850 Strange Four Piston Directional Caliper kit.
- To calculate wheel position measure the following:
 - A) Factory rotor hat thickness _____
 - B1) For single piece rotors subtract 0.125 from factory rotor hat thickness _____
 - B2) For two piece rotors subtract 0.250 from factory rotor hat thickness _____
 - C) Add 0.675 combined thickness of brake rotor centering spacer and caliper bracket to value calculated in B1/2
This will represent the additional amount the wheel will be moved outboard.

Before you begin installation

Consult factory service manual to remove and disassemble the upright and axle hub assembly.
Brake rotors are shipped with an oil film on surface to prevent rust and must be cleaned before installation.
Clean and inspect hub for damage (damaged wheel bearings, stripped threads, etc.) and repair or replace as needed.
Inspect upper and lower ball joints for excessive play and replace as needed.
Read these instructions thoroughly and save for future reference.
If after reading these installation instructions, you have any questions or comments, please do not hesitate to call us.

| ALL KITS INCLUDE | | | |
|---------------------------|--------|-----|---------------------------------------|
| Item# | PART# | QTY | DESCRIPTION |
| 2 | B4178C | 2 | Brake Rotor Centering Spacer |
| 3 | B4178A | 1 | Brake Caliper Mount Driver Side |
| 4 | B1301E | 4 | 3/8-24 Press Nut |
| 5 | B1301H | 16 | 3/8 I.D. x 0.025 Thick Caliper Shim |
| 6 | B5004 | 1 | Brake Caliper Driver Side |
| 8 | P2316 | 2 | 1/8 NPT x -3AN Fitting |
| 9 | B1301J | 4 | Caliper Bolt Washer |
| 10 | B5000Y | 4 | 3/8-24 x 1.125" Caliper Mounting Bolt |
| 11 | B4178D | 4 | M12-1.75 x 65mm Hub Assembly Bolt |
| 12 | B4178B | 1 | Brake Caliper Mount Passenger Side |
| 13 | B5002 | 1 | Brake Caliper Passenger Side |
| B4178WC ADDITIONAL PARTS | | | |
| 1 | B2796 | 1 | Heavy Duty Brake Rotor Driver Side |
| 7 | B5010 | 4 | Semi-metallic Brake Pads |
| 14 | B2795 | 1 | Heavy Duty Brake Rotor Passenger Side |
| B4178WC2 ADDITIONAL PARTS | | | |
| 7 | B5010 | 4 | Semi-metallic Brake Pads |
| 15 | B2794A | 2 | Two Piece Brake Rotor |
| 16 | B2794B | 2 | Two Piece Brake Rotor Adapter |
| 17 | B2794C | 2 | Two Piece Brake Rotor Spirolock |

FIGURE # 1:

1. Perform required modifications to the OEM upright. See Figure #3 on the following page.
2. Refer to factory service manual to reassemble the upright to the front end.
3. Slide the caliper mount (3) and ABS Plate over the hub assembly. **Note:** ABS plate is optional.
4. Secure the hub assembly with the ABS plate and caliper mount (3) to the upright using the two hub assembly bolts (11) provided and single factory bolt. Ensure correct orientation of all parts. Torque the hub assembly bolts (11) to 85 ft-lbs.
5. Slide the rotor centering spacer (2) over the hub center. **Ensure register faces outboard.**
Note: Remove any rust on mounting surfaces of hub. Lug nuts can be installed to avoid damaging wheel stud threads while cleaning the mounting surface.
6. Slide the rotor (1) or two piece rotor assembly (15,16,17) over the wheel studs flush to the face of the spacer (2). **Note:** Rotors mount with the arrow pointing in the direction of normal rotation. (Figure #1)
7. Attach the caliper (6) to the caliper mounting bracket (3) using the two caliper bolts (10) with red loctite, flat washers (9) and shims (5). Consult B1850 Strange Four Piston Caliper Kit instructions.
Torque caliper bolts (10) to 35 ft-lbs.
Note: The arrow on the caliper must face the normal rotation of the rotor/wheel. (See Figure #1) Determine the proper amount of shims by positioning the caliper as closely as possible to the center of the rotor.
8. Connect the hydraulic lines to the calipers. Calipers are tapped to 1/8"-27 NPT and supplied with -3AN fittings. Use proper adapters or use new -3AN braided steel line (teflon lined). Bleed the calipers with DOT 4 or DOT 5.1 brake fluid ONLY .
9. A proper break-in procedure is required to avoid brake fade and uneven rotor deposits from the pads. It consists of 8-10 brake applications increasing in harshness while allowing the brakes to cool slightly in between; do not keep the brakes applied between stops. After the last stop the brakes should be allowed to cool completely.

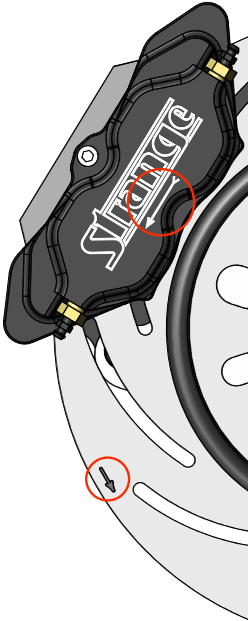
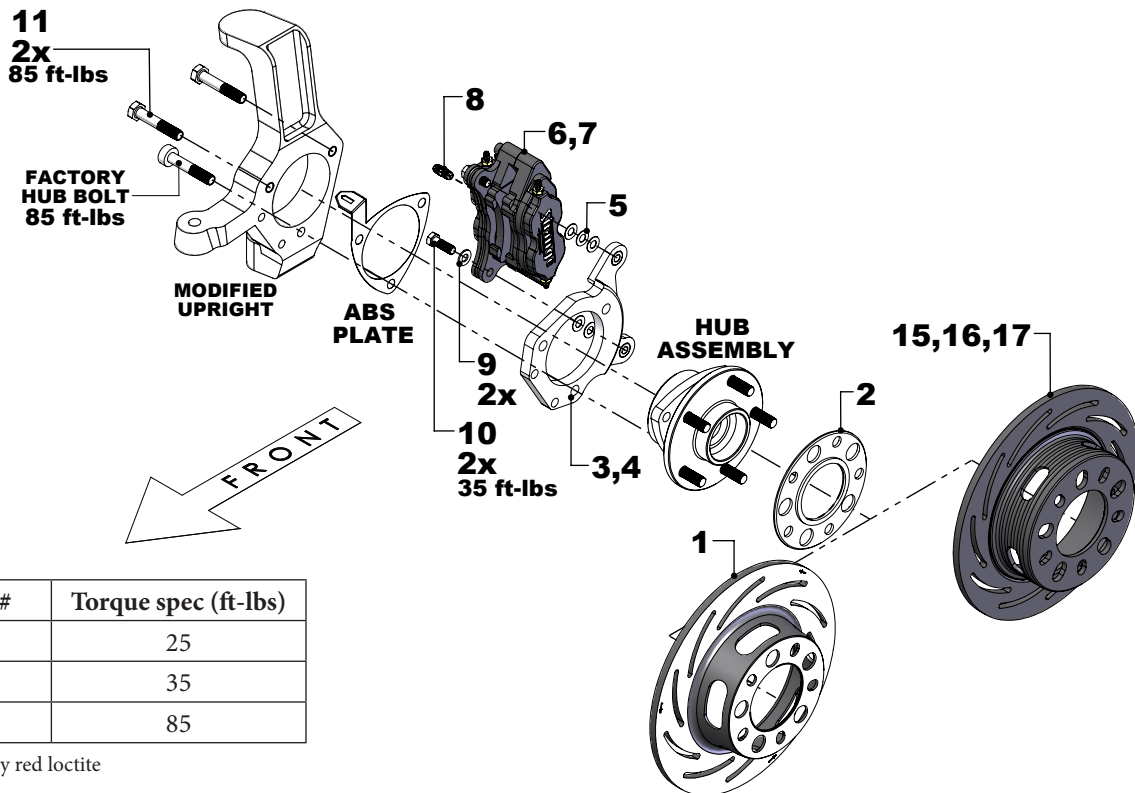


FIGURE # 2: Exploded view of B4178WC & B4178WC2

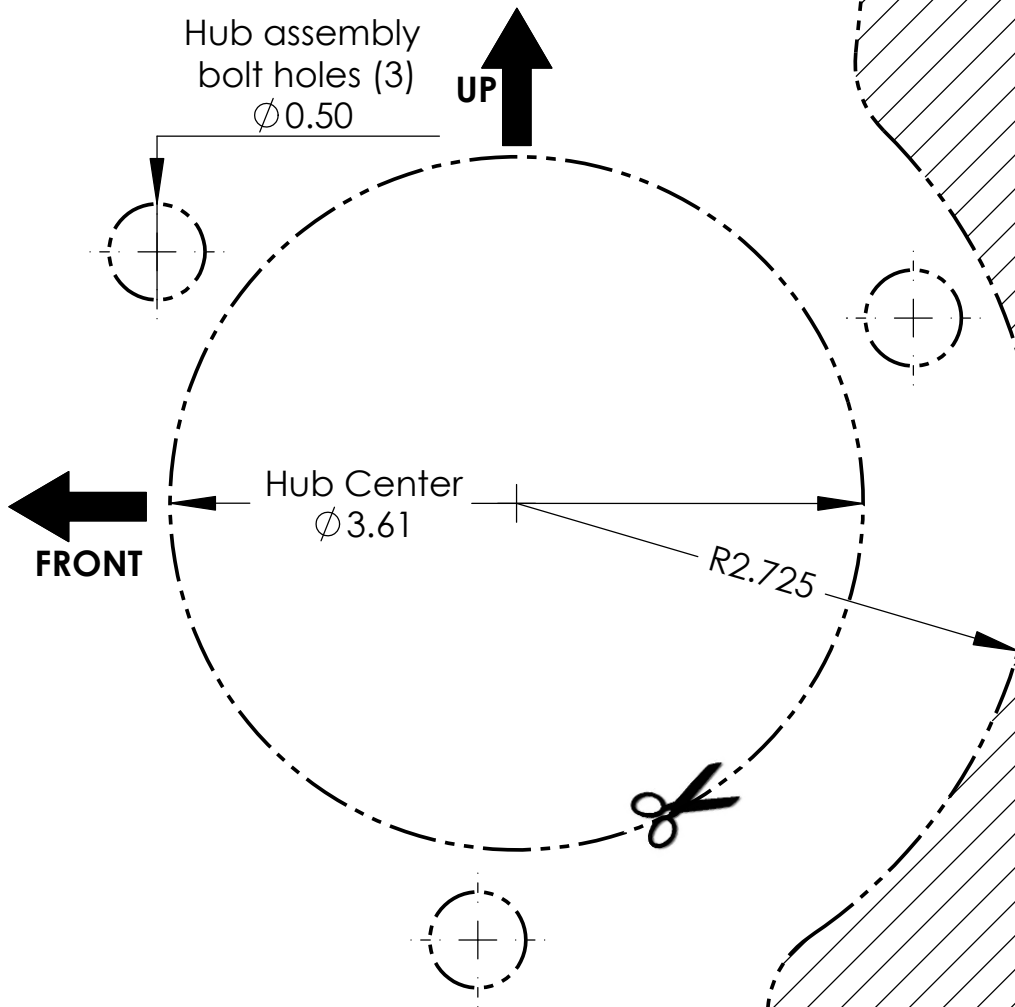


| Item# | Torque spec (ft-lbs) |
|-------|----------------------|
| 8 | 25 |
| 10* | 35 |
| 11 | 85 |

*Must apply red loctite

FIGURE # 3: Template can be used for driver or passenger side. Arrows must face correct orientation.

1. Glue template to a cardboard piece.
2. Cut out template and cardboard along dotted edges.
-1/2" Drill bit can be used for the three hub assembly bolt cutouts.
3. Slide template thru hub assembly bolts and over hub center. Ensure arrows correspond to correct orientation.



This area of OEM upright and caliper ears must be removed

4. Use this template as a guide to modify the OEM upright. The right hand portion of the template identifies the region of the upright that needs to be removed. Various tools can be used for this procedure. Ensure there are no sharp edges after modification.